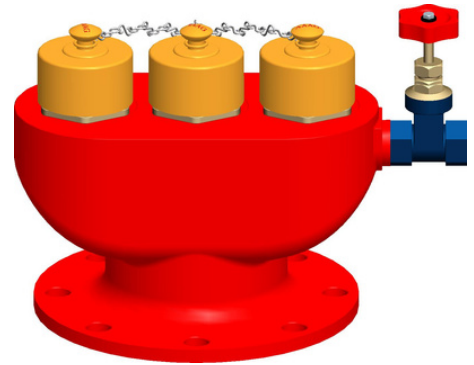


Product Name: FIRE BRIGADE INLET (3 WAY)

Product Code: VRX-3W



DESCRIPTION:

Fire Brigade Inlet (also called Pumping In Breech) allows Fire Tenders (Pumpers) to pump in water into the Dry Riser/ Wet Riser/ Sprinkler system piping using external water sources such as hydrants. Fire Brigade Inlet is fitted with required number of standard Male Instantaneous inlets to feed the Riser pipe depending upon size.

Brief Description : VariEX Fire Brigade Inlet (Pumping in Breech), having Cast Iron body with 3 Nos. 63 mm size SS Male Instantaneous inlets (with NRV), and 80 mm size flanged outlet, suitable for connection to Dry Riser piping. Fire Brigade inlet body shall be provided with drain valve for draining water after operation.

GENERAL DATA:

Sl No	Particular	Specification
1	Make	VariEx
2	Size/Model	3 Way FB Inlet
3	Inlet	3 Nos Male Instantaneous Adaptor (63 mm) with NRV
4	Outlet	100 mm NB Flanged (IS: 1538/ANSI B 16.5 150#)
5	Material of Construction	Cast Iron Body with SS Inlet Adaptors
6	Reference	See Drawing Below

MATERIAL OF CONSTRUCTION:

Sl No	Particular	Specification
1	Body/Flange	Cast Iron FG 200 IS:210-1978
2	Male Adaptor	Stainless Steel IS:3444 Gr 1
3	Drain Valve	Gunmetal IS:318 LTB2
4	Inlet Caps/Seat Washer	Rubber, IS:937 Type A

TESTING AND QUALITY CONTROL :

Sl No	Particular	Specification
1	Dimensional check	See Drawing Below
2	Hydrostatic Pressure Test	21 kgf/cm ² for 2.5 minutes
3	Documentation	Internal inspection report, supplier's certificates approved laboratory.

OPERATIONAL/TECHNICAL DATA:

Sl No	Particular	Specification
1	Working pressure	7 Kgf/cm ²
2	Weight (Approx.)	18 Kgs (approx.)

FINISH:

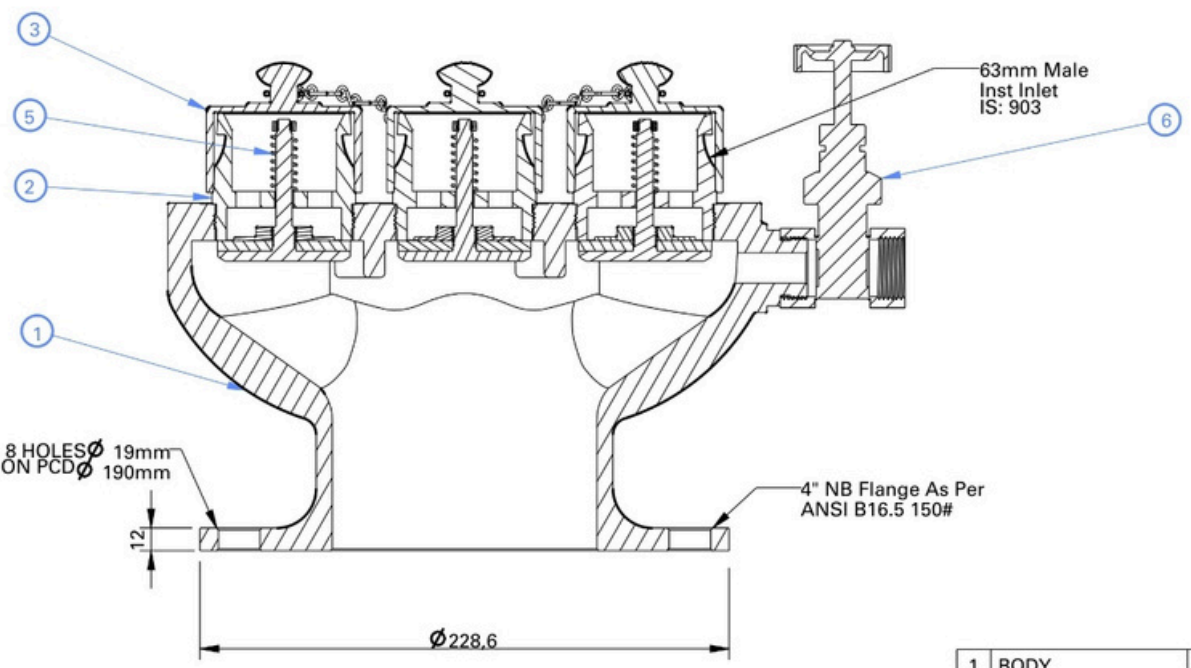
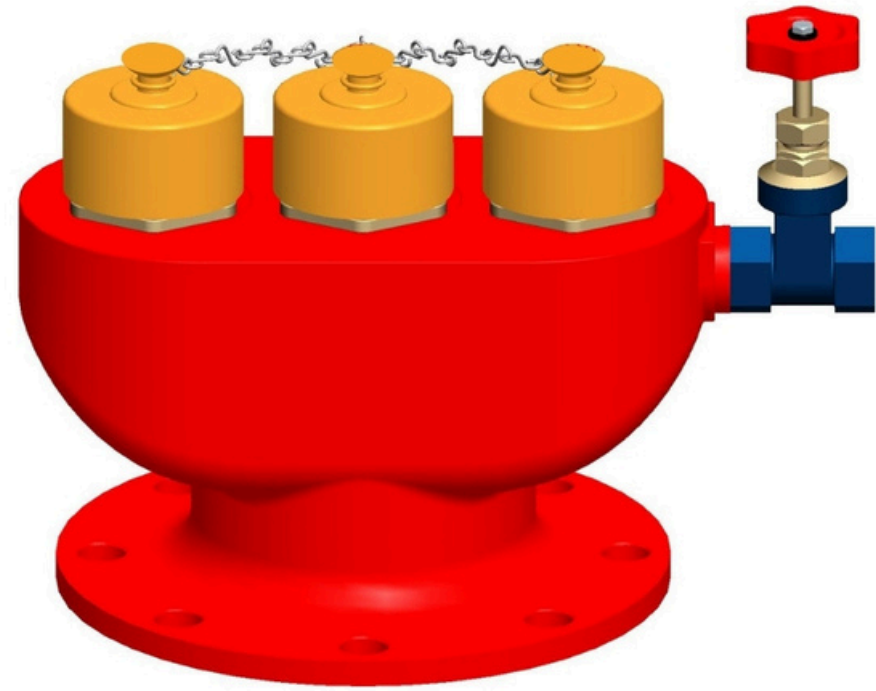
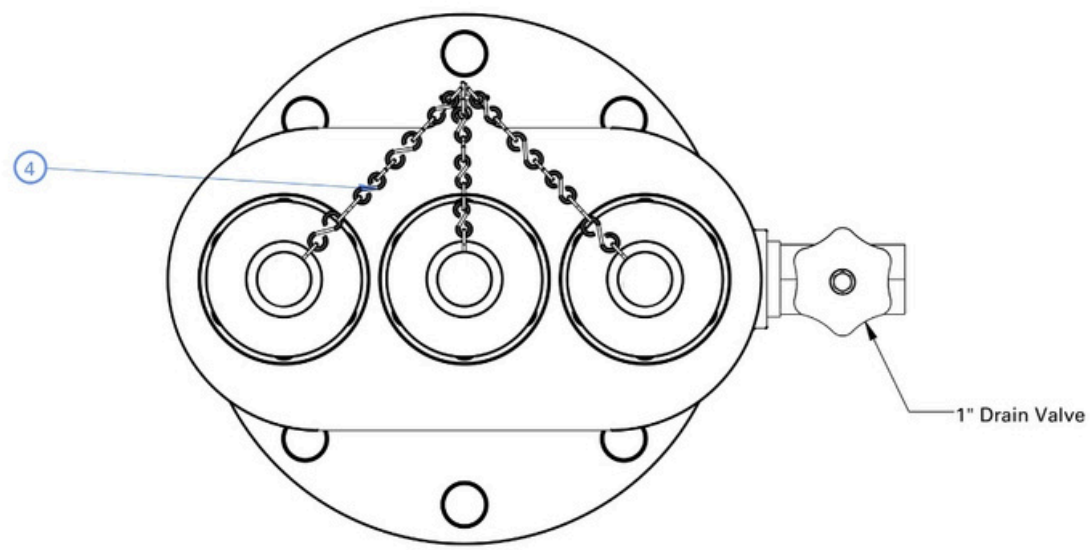
Sl No	Particular	Specification
1	Hose Reel	Painted - Fire Red Color as per IS: 5 Shade No. 536
2	Nozzle	Natural finish/ Polished

APPROVALS & MARKING:

Sl No	Particular	Specification
1	Approvals	---
2	Marking on Coupling	VariEX/Year of Manufacture/Sl.No

APPROVALS & MARKING:

Sl No	Particular	Specification
1	Warranty & Guarantee	12 Months from the date of supply



NOTES :
 Hydraulic Pressure Test For Body: 21 KGF/CM2 (FOR 2 MIN.)

1	BODY	CAST IRON IS: 210
2	MALE INST. N.R.V	SS IS:3444 Gr 1
3	BLANK CAP	RUBBER
4	CHAIN	GALVENIZED
5	SPRING	IS: 7608
6	DRAIN VALVE	BRASS
NO	DESCRIPTION	MATERIAL
PART LIST		

 **Varistor Technologies Pvt. Ltd.**

TITLE : FIRE BRIGADE INLET (3 WAY)

SCALE	DRAWING NO:	SHEET	REV.
N.T.S	VRX-3W	1 OF 1	0